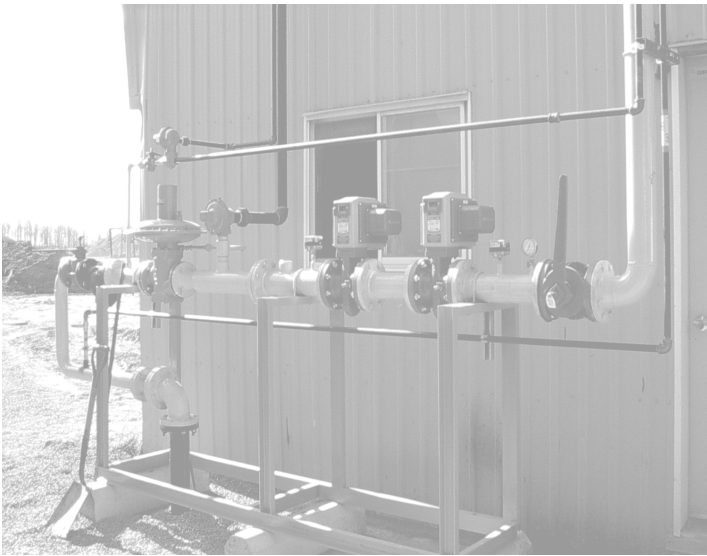




Gas Essentials^{INC}

Natural and Propane Gas Regulation, Measurement and Controls



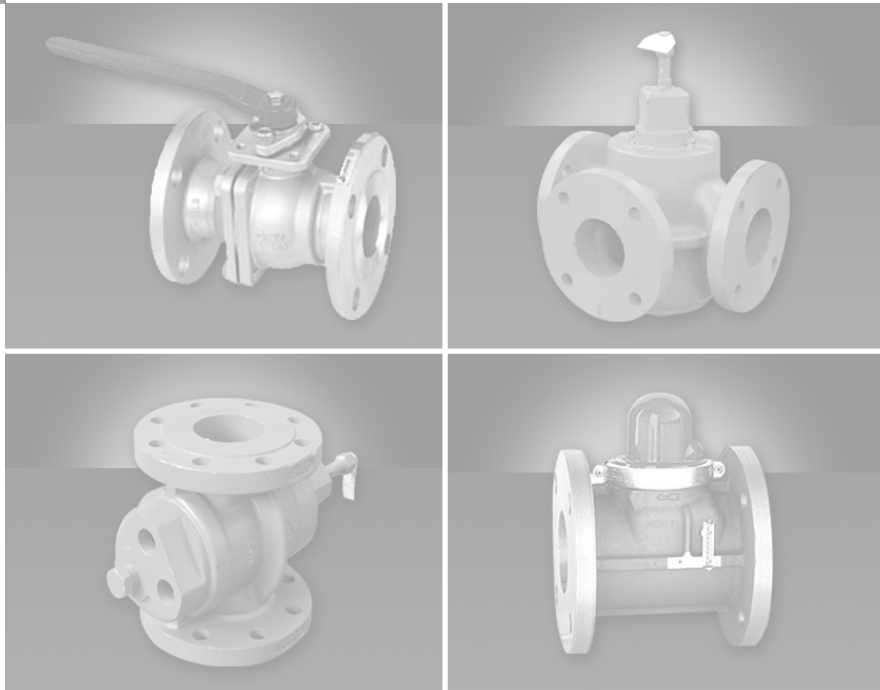
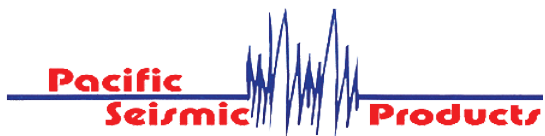
Brass Ball Valve

Gas Valves Plug, Ball and Seismic

Master Distributor for



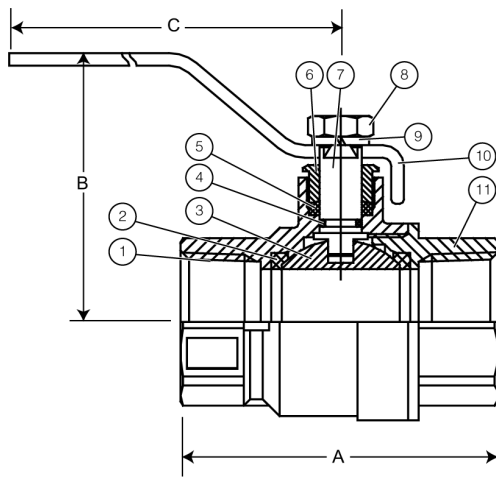
MILLIKEN



www.gasesentials.com

Brass Ball Valve

► JF-100T



Dimensions in Inches

Valve Size	A	B	C
1/4"	1.73	1.67	3.35
3/8"	1.75	1.69	3.35
1/2"	2.28	1.81	3.35
3/4"	2.51	2.36	4.29
1"	2.97	2.52	4.29
1-1/4"	3.45	2.52	5.63
1-1/2"	3.87	2.72	5.63
2"	4.29	3.03	5.63
2-1/2"	5.51	4.25	7.76
3"	6.10	5.12	8.35
4"	7.80	5.71	9.29

Description

1/4 turn lever handle operated, hot forged brass, economical ball valve. 100% full port. Blowout proof stem and 2-piece body design.

Features

- Pressure rating: 600 WOG/150 WSP
- 100% Full Port
- Gland follower and single O-ring stem design
- Teflon seats and stem packing
- 100% tested in U.S.A.
- Available with locking device
- Temperature Range: (1/4" - 2") -40°F. to 366°F. (-40°C to 185°C)
(2-1/2" - 4") -4°F. to 366°F. (-20°C to 185°C)

Approvals

- CSA certified up to 125 PSIG (1/4" - 4")
- UL Listed
MHKZ - Manual Valves
YRPV - Gas Shut-off valves
- FM approved (1/4" - 2")

Material Specification

No.	Part Name	Materials
1	Body	Forged Brass ASTM C37700
2	Seat (2)	Teflon
3	Chrome Plated Ball	Forged Brass ASTM C37700
4	Stem O-Ring	Viton®
5	Stem Packing	Teflon
6	Packing Nut	Forged Brass ASTM C37700
7	Stem	Forged Brass ASTM C37700
8	Handle Nut	Chrome Plated Steel
9	Lock Washer	Chrome Plated Steel
10	Handle	Chrome Plated Steel
11	End-Piece	Forged Brass ASTM C37700

Comparison Chart

Cast Iron - Lubricated Plug Valve

Milliken	Homestead	Resun	Nordstrom	Neo Valves
170M	611	R-1430	142	
171M	612	R-1431	143	1-AS 40114
171MG	612-G	R-1431-WGA	149	1-AS 40114-C
200M	601	D-125	114	1-AR 40034
201M	602	D-126	115	
201MG	602-G	D-126-WGA	189	
200MSJ	601-SJ	D-125-SJ		
201MSJ	602-SJ	D-126-SJ	2815 / 2865	
200L	603	D-951	3402	
301L	604	D-952	3403 / 3465	
301LSJ	604-SJ	D-952-SJ		
301LG	604-G	D-952-WGA	3469	
200T	605	D-953	3412	
301T	606	D-954	3413 / 3475	
200LSJ	603-SJ	D-951-SJ		
200TSJ	605-SJ	D-953-SJ		
301TSJ	606-SJ	D-954-SJ	3479	
301TG	606-G	D-954-WGA		

* The above chart is meant as a general cross-reference only. For specific comparisons with reference to face-to-face, pressure and flow capacity contact Norgas Controls Inc.

Other products available from



.....
**Regulators for Natural & Propane Gas
High Pressure Regulators up to 5000 PSI
Filter Regulators & Gauges**

METERS

.....

**Diaphragm, Rotary, Turbine,
Dattus and Accessories**

Manufacturer standard warranty applies. For a copy please contact us.